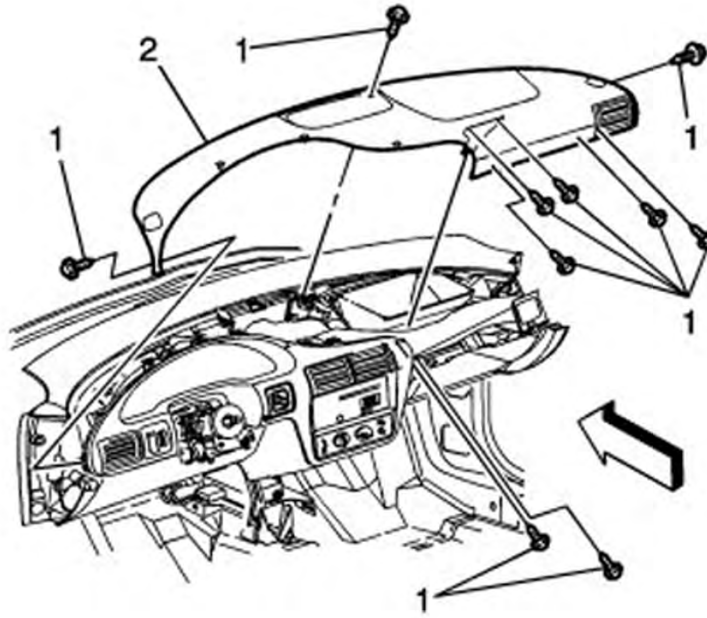
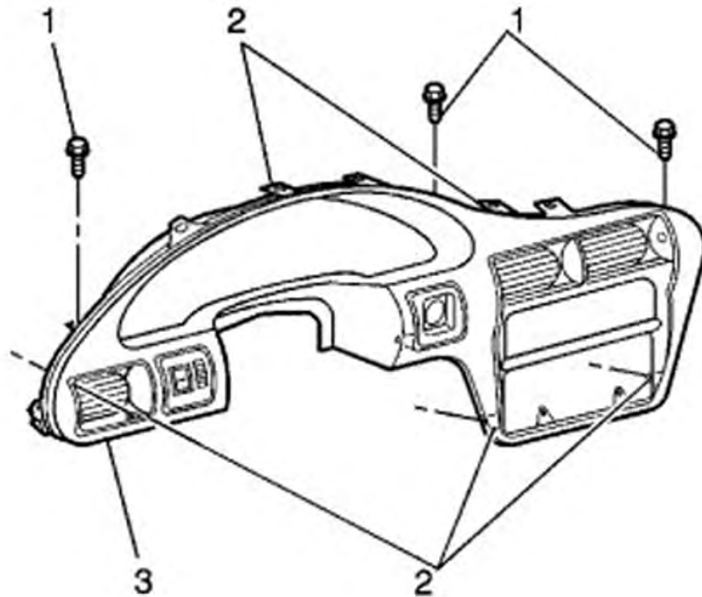


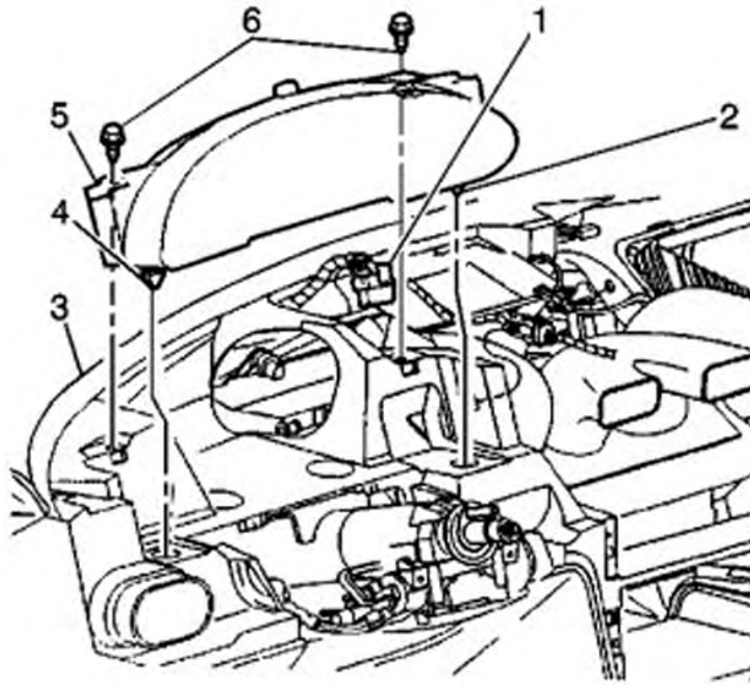
## Cavalier



1. Remove the defroster grille screw
2. With flat bladed tool disengage the defroster grille from the instrument panel (I/P)trim pad.
3. With flat bladed tool disengage the outer trim covers from the I/P carrier. Pull the cover rearward to disengage the locating tabs from I/P carrier.
4. Open the I/P compartment.
5. Remove the I/P trim pad screws (1)
6. Remove the I/P trim pad (2) from the I/P carrier.



7. Remove the screws (1) from the I/P cluster trim panel. (3)
8. Remove the I/P cluster trim panel (3). Pull rearward in order to disengage the retainers (2).
9. Disconnect the electrical connectors for the headlamp dimmer switch.
10. Disconnect the electrical connectors for the cigar lighter, if equipped.



11. Remove the screws (6) from the top of the I/P cluster (5).
12. Remove the I/P cluster (5) pulling rearward.
13. Disconnect the electrical connector (1) from the I/P cluster (5)
14. Remove the I/P cluster from the I/P.