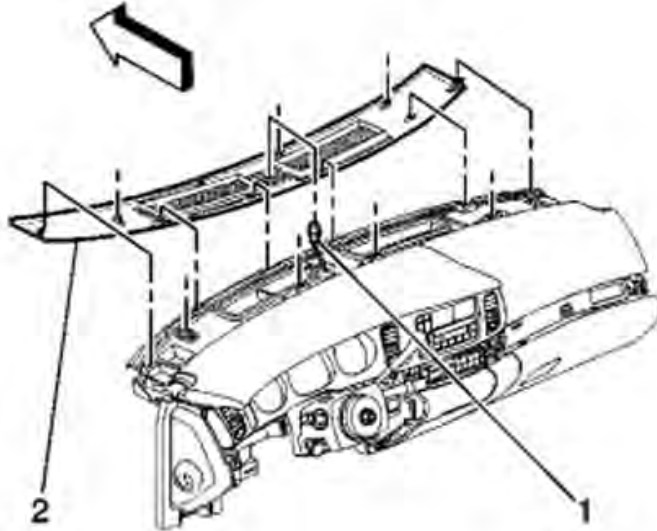
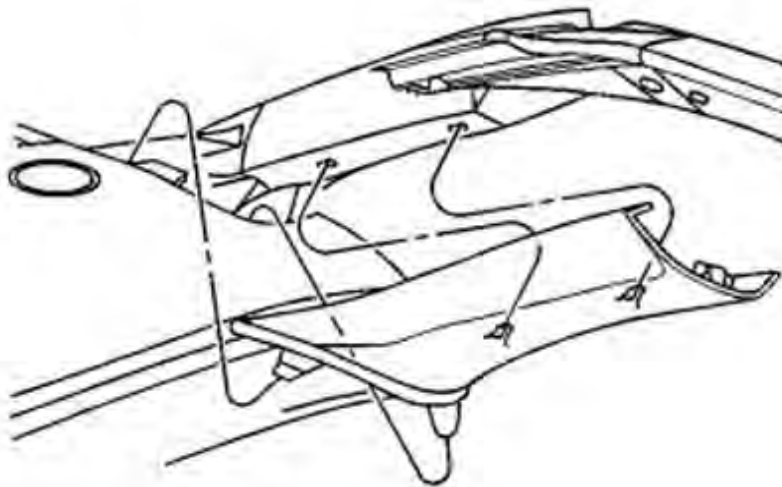


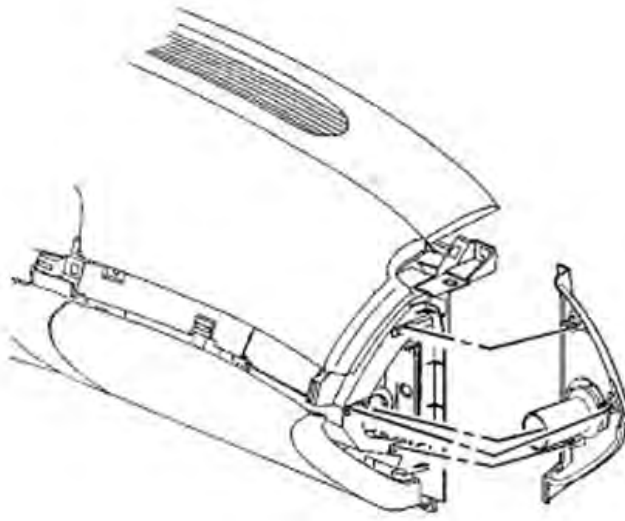
LeSabre



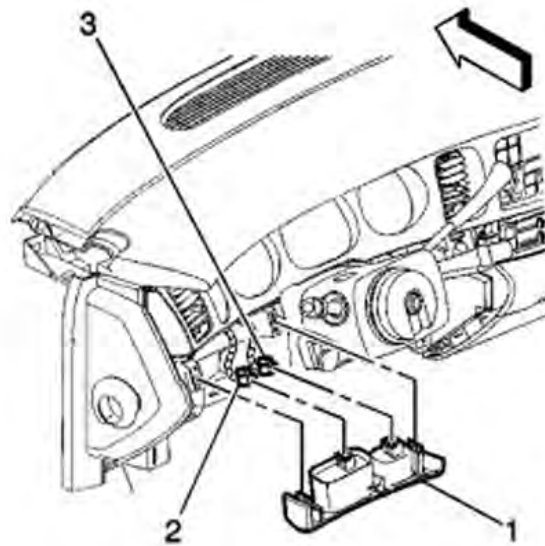
1. Remove the defroster grille by carefully prying upward in order to release the retainers
2. Disconnect the electrical connector from the sensor (1).
3. Twist the sensor counterclockwise to remove.



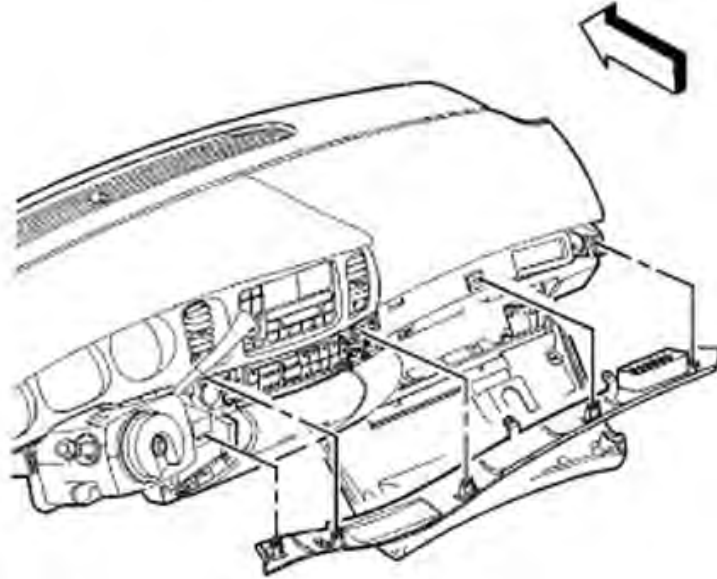
4. Pull the windshield pillar garnish molding away from the windshield pillar in order to disengage the retainer clips
5. Remove the windshield pillar garnish molding. Do this for both sides of vehicle.



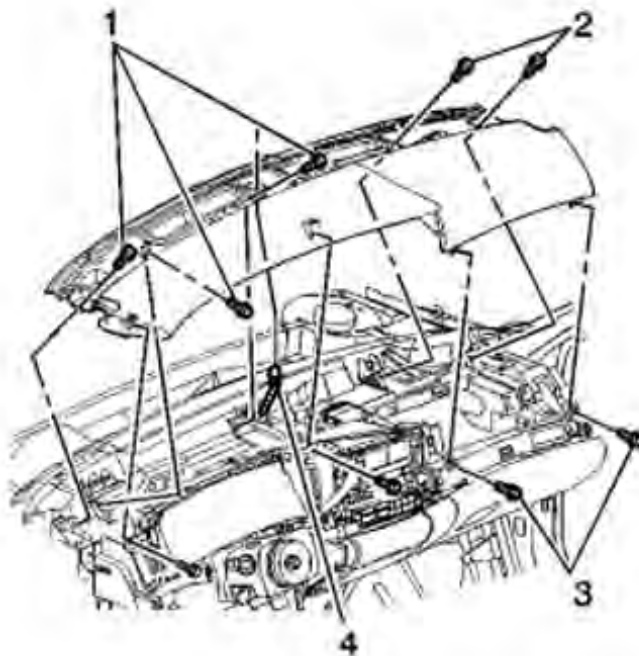
6. Open the instrument panel storage compartment door.
7. Grip the outer trim panel at the lower edge and pull outward until the retainers disengage. Also remove the left side outer trim panel in similar fashion.



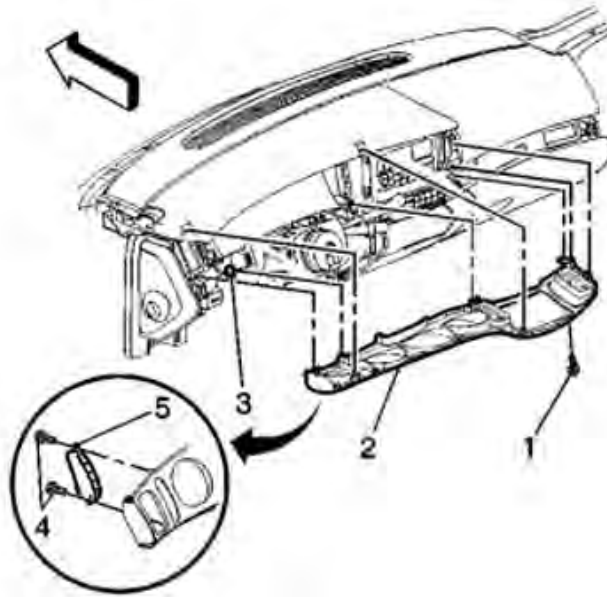
8. Remove the left trim plate by pulling the trim plate (1) toward the rear of vehicle.
9. Disconnect the headlamp and HUD switch connectors (2,3).



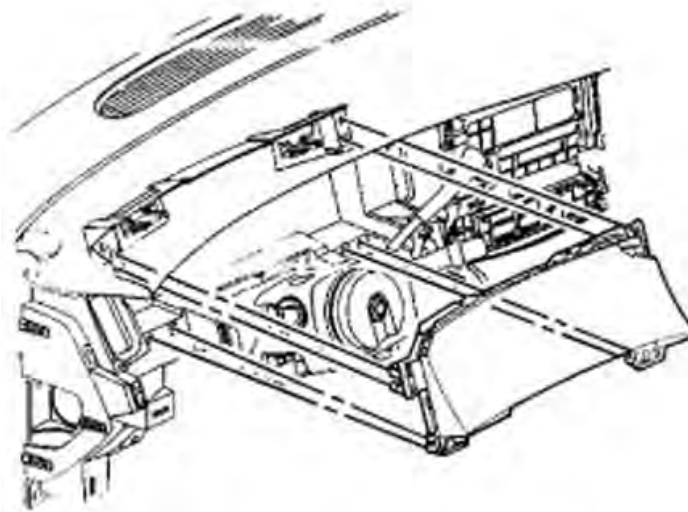
10. Open the storage compartment and remove the two fasteners that secure the right trim plate to the instrument panel.
11. Remove the right trim panel by pulling toward the rear of vehicle.



12. Remove the fasteners (1,2,3) that secure the upper trim pad to the carrier.
13. Lift the pad upward in order to disengage the retainers from the instrument panel.
14. Disconnect the sunload sensor (4).



15. Raise the tilt steering column to the highest position and remove the 2 fasteners (1).
16. Lower the column.
17. Disengage the 4 clips across the top edge, and the 4 clips across the bottom edge that retain the cluster trim plate to the instrument panel by gently pulling toward the rear of vehicle.
18. Set the parking brake and move the gear selector to the L1 position.
19. Tilt the top of the bezel rearward in order to remove.
20. Disconnect the electrical connector (3) from the driver information center switch (5).



21. Pull rearward on the instrument cluster in order to disengage the retaining clips.
22. Remove cluster and disconnect electrical connector.

**If your vehicle is not covered by this guide please contact us by email at:
info@bobssspeedometer.com**

IMPORTANT - DISCLAIMER

www.bobsspeedometer.com and/or Bob's Speedometer provide this information as a courtesy for our customer's convenience. Bob's Speedometer accepts no responsibility of the accuracy of the info provided. Any use of this info acknowledges that the user does so at their own risk, and also agrees that Bob's Speedometer will not be held liable for any property damages or personal injury that may or may not occur from the use of these guides.

These instructions are for use by persons familiar with the procedures described. If at any point the user does not feel comfortable or safe with the procedures described, the user should immediately STOP and consult a qualified service professional for assistance.

Be sure to engage the parking brake, disconnect the battery, use wheel chocks, and follow any and all appropriate safety precautions.