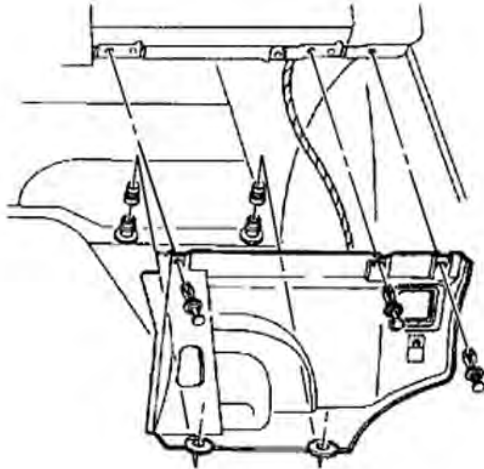
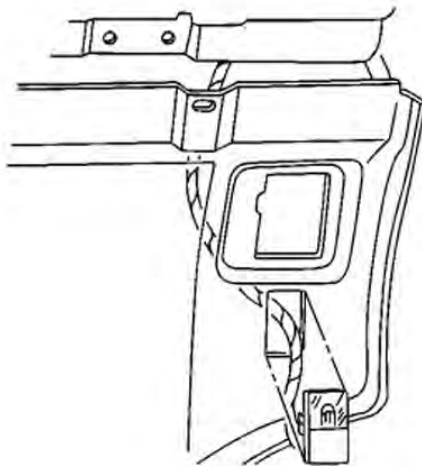


Rendezvous

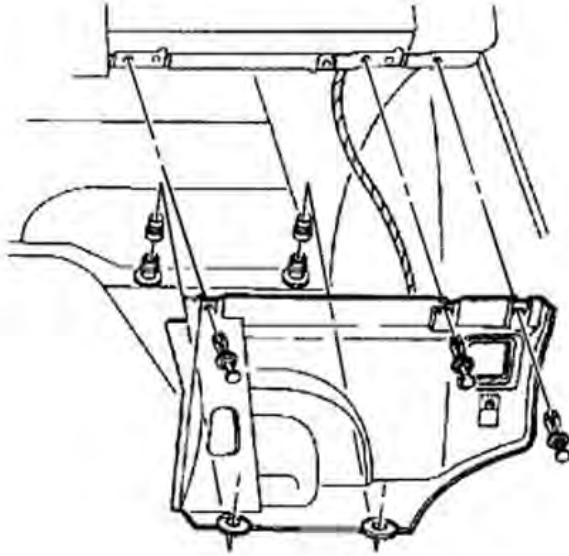
Instrument panel insulator – right side:



1. Remove the push-in retainers from the IP (instrument panel) insulator to instrument panel.
2. Remove the press-on retainers from the IP insulator to dash mat.

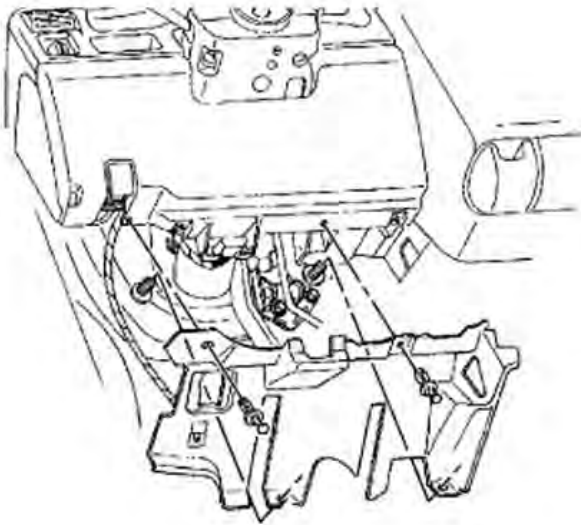


3. Unsnap the IP courtesy lamp from the IP insulator



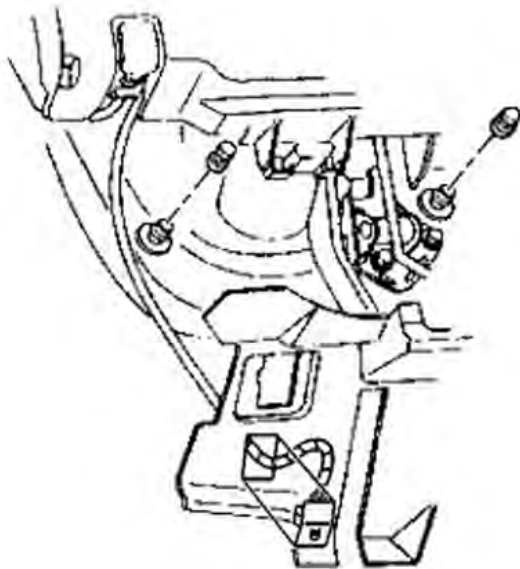
4. Remove the IP insulator from the instrument panel

Instrument panel insulator – left side:

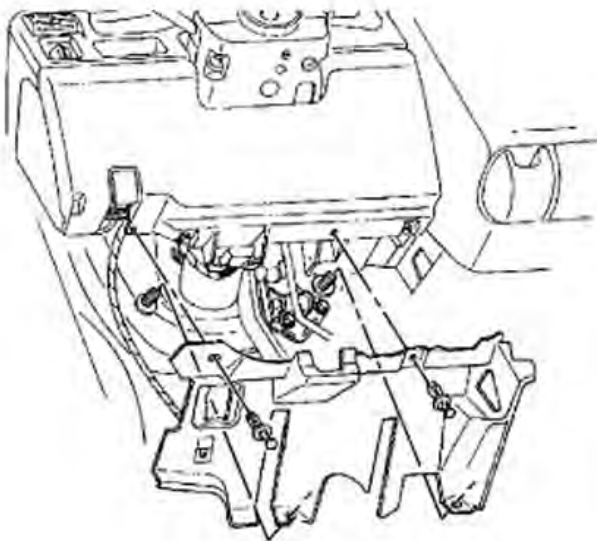


5. Remove the push-in retainers from the IP insulator to instrument panel.

6. Remove the press-on retainers from the IP insulator to dash mat.

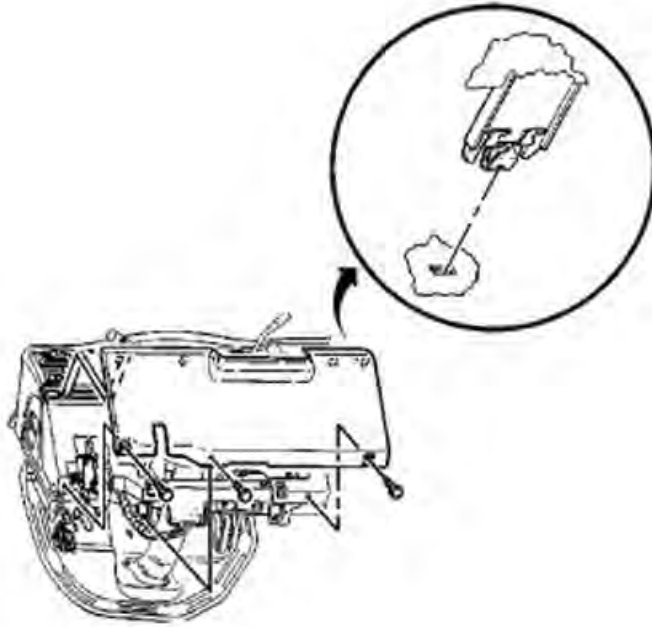


7. Unsnap the IP courtesy lamp from the IP insulator



8. Remove the IP insulator from the instrument panel

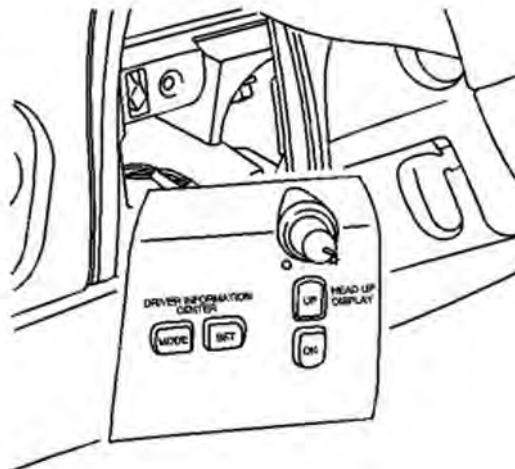
Knee Bolster



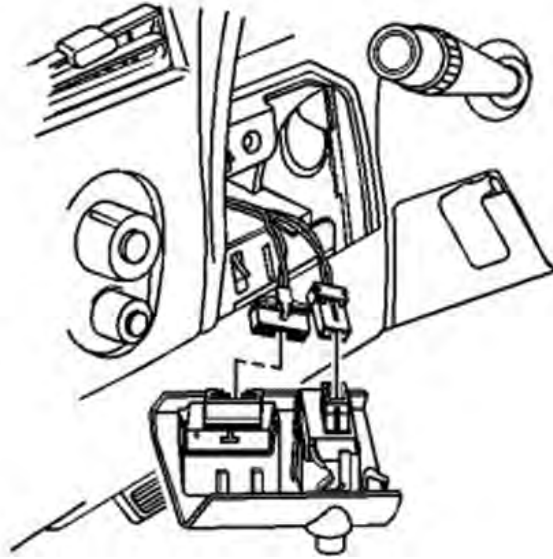
9. Remove the bolts/screws from the bottom of the knee bolster
10. Pull on the knee bolster in order to release the upper clips

Driver Information Display Switch

11. Use a flat-bladed tool to pry the cover of the driver info center panel from the instrument panel

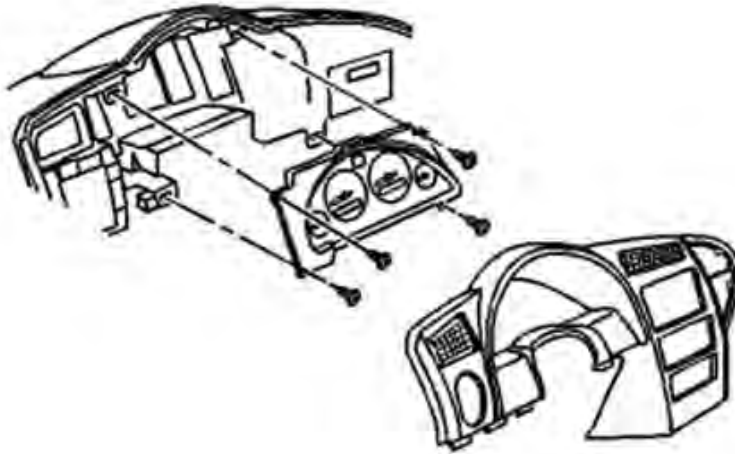


12. Disconnect the electrical connectors from the driver info center panel and



remove.

Cluster Trim Plate Bezel – *Important: turn the ignition switch to the OFF position before you remove the instrument panel cluster.*



13. Loosen the steering column bracket. Lower the steering column
14. Remove the trim plate bezel from the instrument panel cluster.
15. Remove the screws from the IP cluster.
16. Disconnect the electrical connectors from the IP cluster and remove.