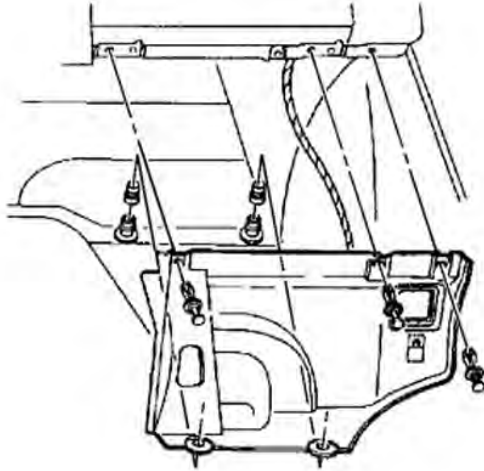
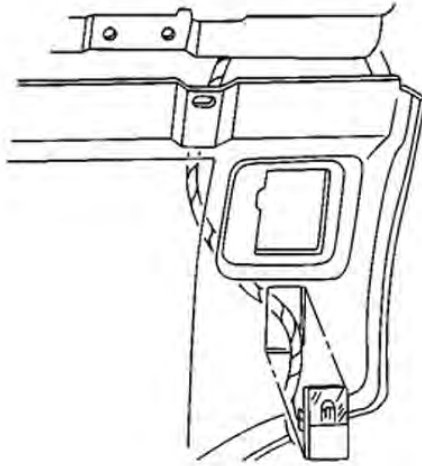


Venture

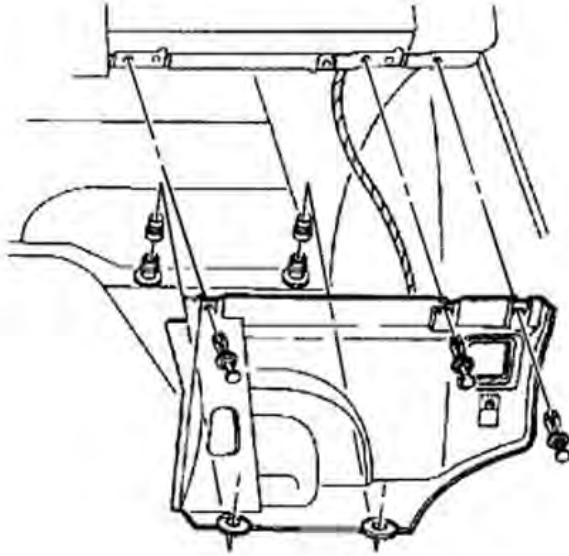
Instrument panel insulator – right side:



1. Remove the push-in retainers from the IP (instrument panel) insulator to instrument panel.
2. Remove the press-on retainers from the IP insulator to dash mat.

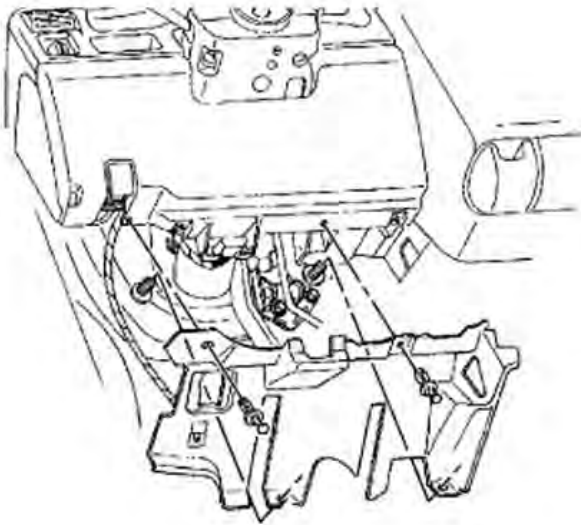


3. Unsnap the IP courtesy lamp from the IP insulator



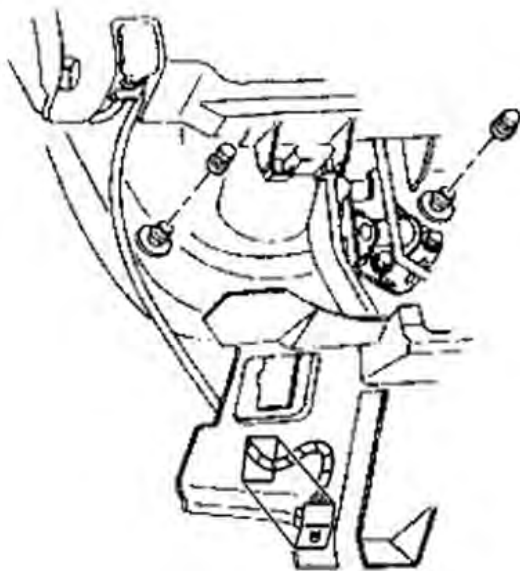
4. Remove the IP insulator from the instrument panel

Instrument panel insulator – left side:

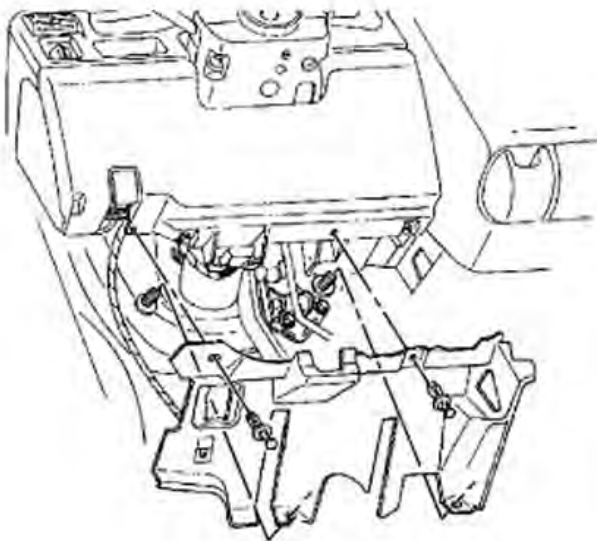


5. Remove the push-in retainers from the IP insulator to instrument panel.

6. Remove the press-on retainers from the IP insulator to dash mat.

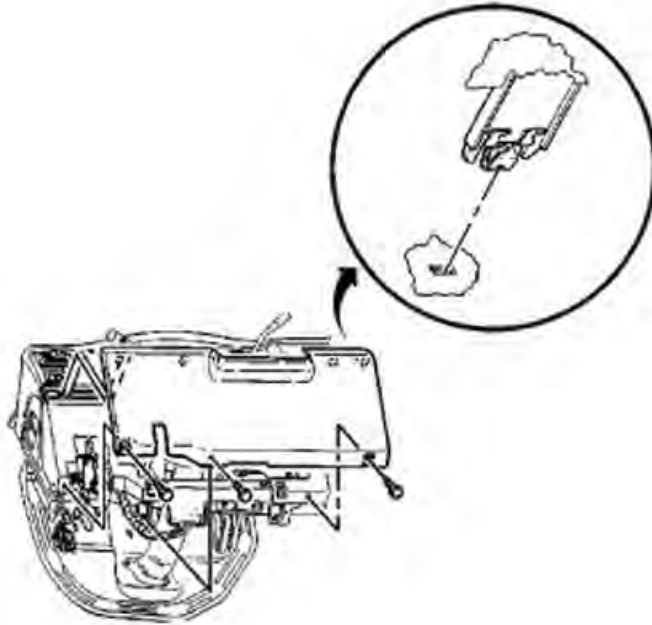


7. Unsnap the IP courtesy lamp from the IP insulator



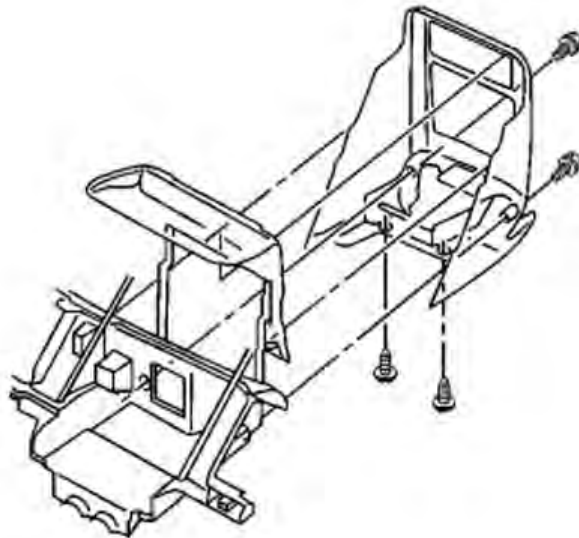
8. Remove the IP insulator from the instrument panel

Knee Bolster



9. Remove the bolts/screws from the bottom of the knee bolster
10. Pull on the knee bolster in order to release the upper clips

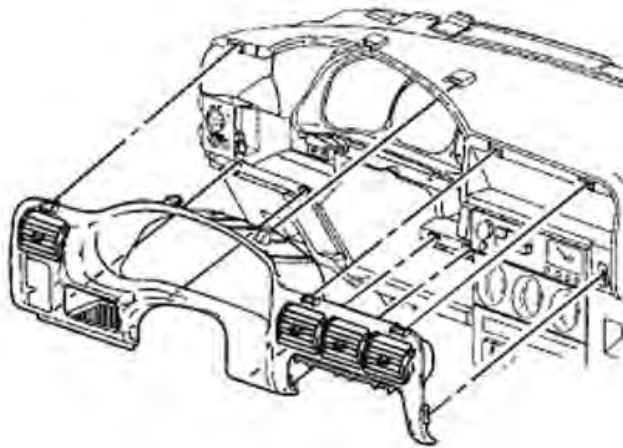
Accessory Trim Plate



11. Open the ashtray or the cup holder.
12. Remove the following sets of screws:

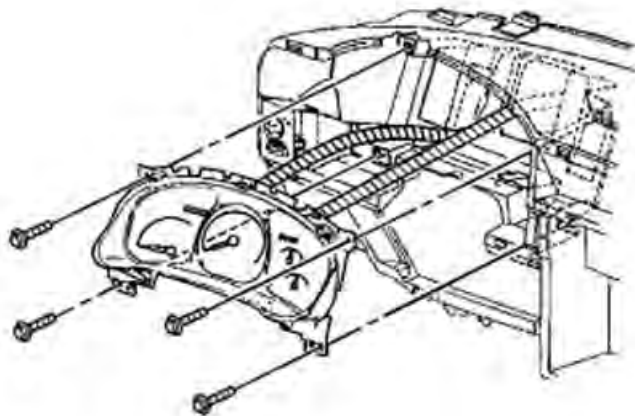
- Two screws from the front of the trim panel. For access to the front screws, remove the ashtray or the cupholder.
 - Two screws from the bottom of the trim panel. For access to the bottom screws, remove the console storage box.
13. Use a small, flat-bladed tool in order to remove the upper tabs on the IP accessory plate from the instrument panel.
 14. Disconnect the electrical connectors, if equipped.
 15. Remove the IP accessory trim plate from the instrument panel.

Instrument Cluster Trim Plate



16. Position the tilt steering wheel to the lowest position.
17. Pull on the IP cluster trim plate in order to release the clips that secure the IP cluster trim plate to the instrument panel. Begin near the headlamp switch and work toward the center of the vehicle IP cluster trim plate.
18. Remove the IP cluster trim plate from the instrument panel.

Instrument Cluster Removal – *Important the ignition switch must be in the OFF position when removing the instrument panel cluster.*



19. Remove the screws from the IP cluster to instrument panel.
20. Remove the IP cluster from the instrument panel.

