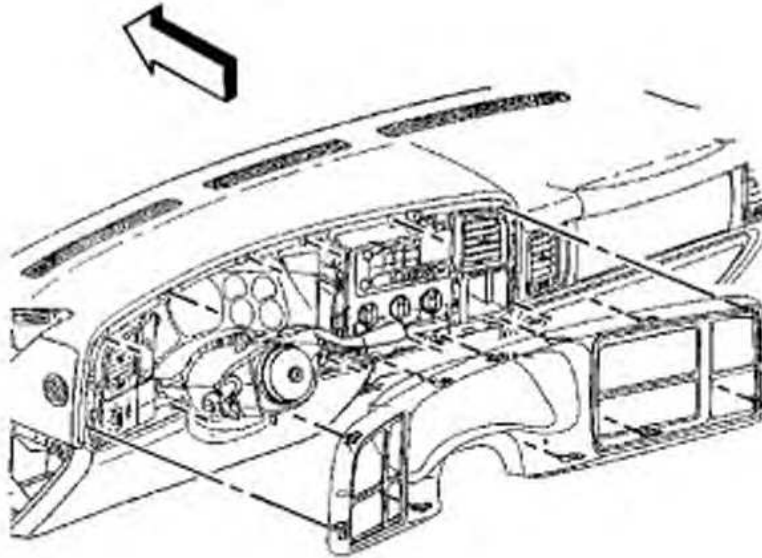


Silverado, Sierra, Suburban, Yukon, Tahoe, Avalanche, Escalade

1. Apply the parking brake to prevent the vehicle from moving
2. If equipped with an automatic transmission, move the shift lever all the way down to last gear.
3. Tilt the steering wheel to the full down position
4. Pull gently rearward on the corners of the bezel from the instrument panel (IP) assembly
5. Remove the bezel



6. After removing the trim plate bezel simply remove the four ¼" screws holding the instrument cluster in place. Pull the cluster out and unplug the single wiring harness connection in the back.